

## Ten Years after: The Mapfre Tower at the Olympic Village, Barcelona

Íñigo Ortíz Díez de Tortosa, Ortíz. León. Arquitectos, Madrid

Presentation on the occasion of the conference  
*Creative Architecture with Stainless Steel*  
jointly organised by Euro Inox, Brussels, Belgium and  
Cedinox, Madrid, Spain, on 12<sup>th</sup> March 2002 in Barcelona



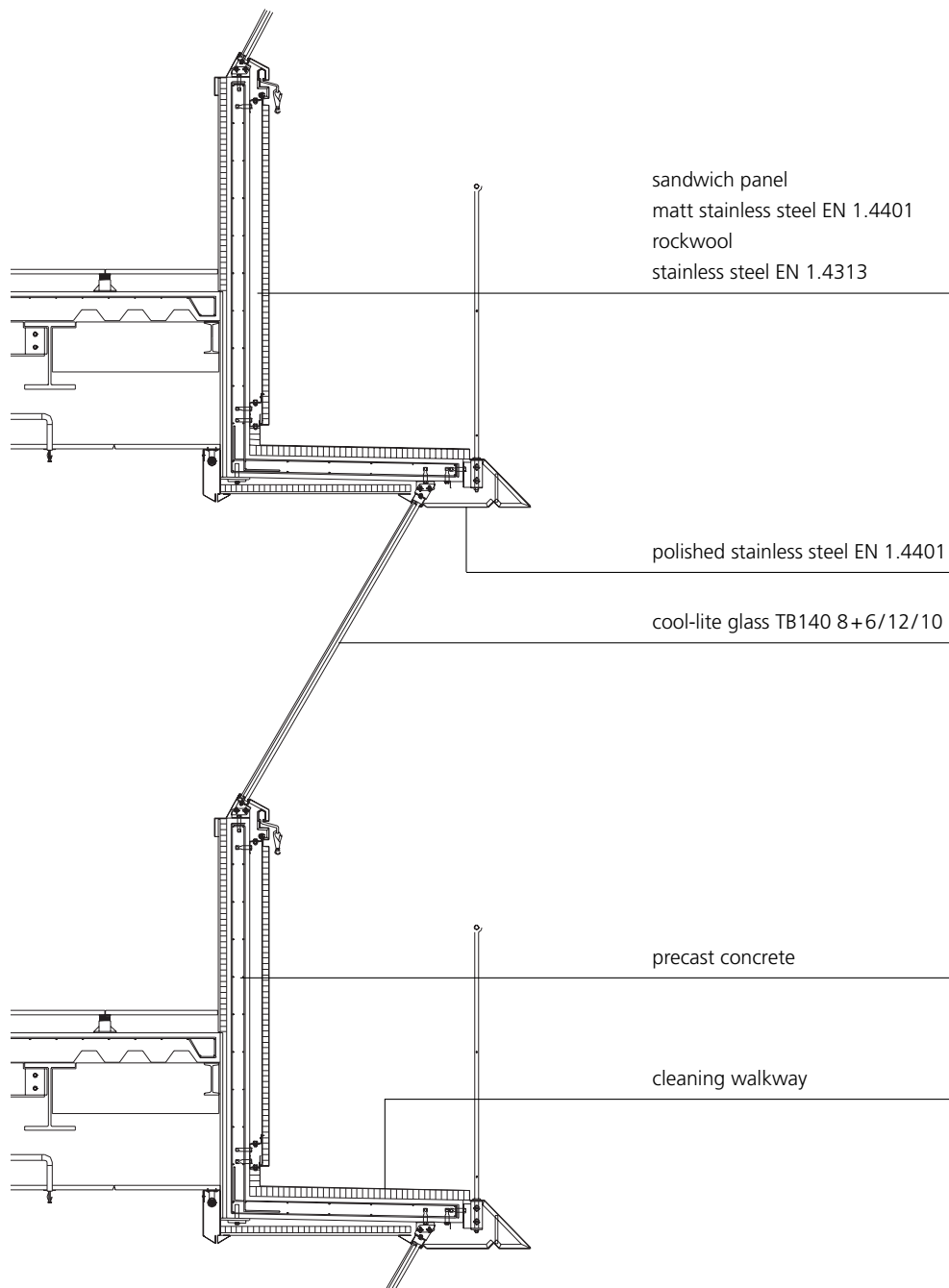
## Stainless steel as a climate protector

A solution for profiles of curtain wall components

A solution for insulated sandwich panels

A solution for ventilated façades

A solution for the construction of eaves, porches and solar protectors



Façade section

## Stainless steel as an energy saver

Sustainable material

Low energy requirements

Non-polluting

Recyclable

Recycled

Easy to replace and mechanically resistant

Long-lasting, high quality and easy to clean

Easily replaceable

Local smelting and production

Highly mechanical and structural potential



## Stainless steel as developer of design

Infinite variety of textures, colours and finishes

Wide range of products: tubes, profiles, panels, mesh, accessories, etc.

Easy to form and weld

Fasteners available in the same material

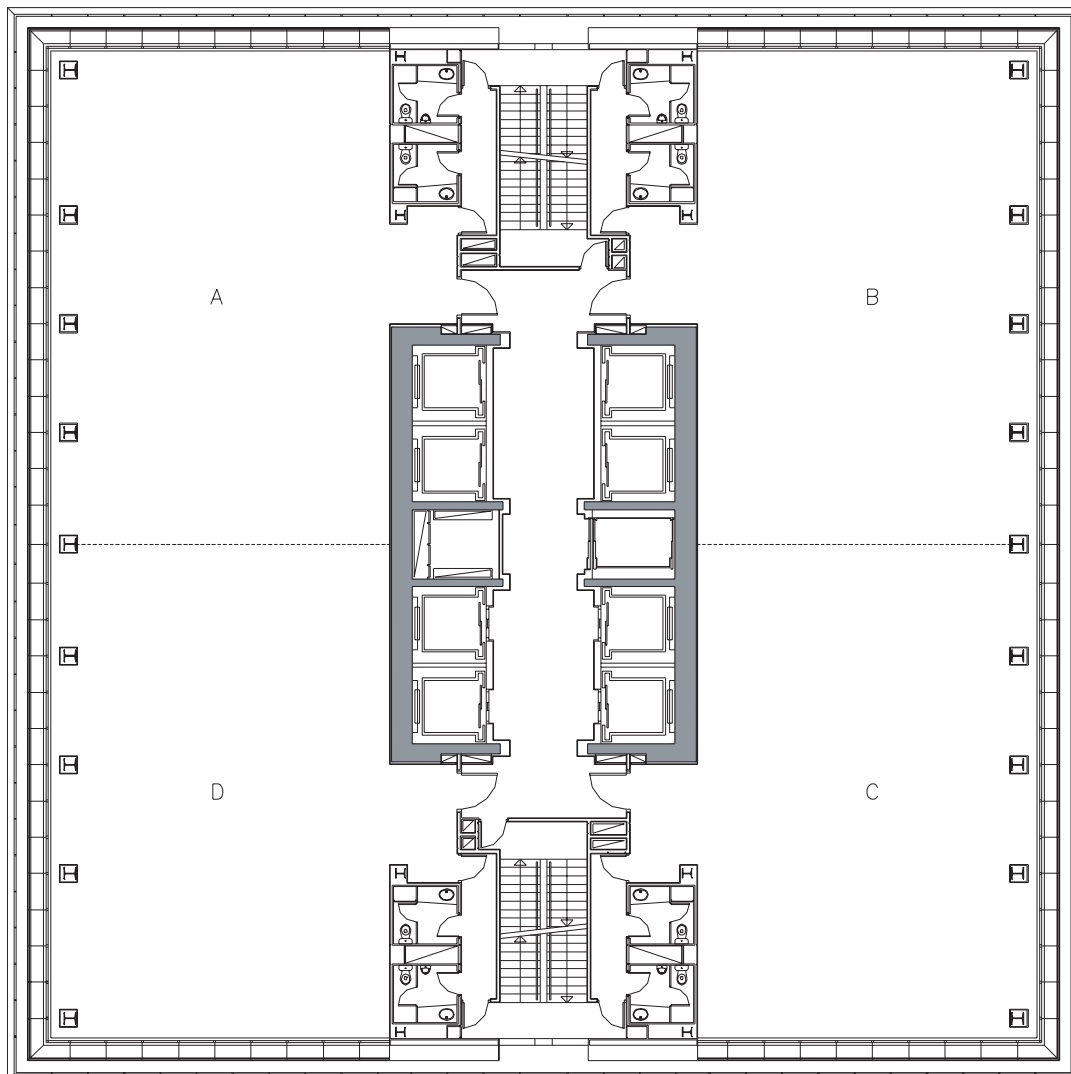
Great variety of grades

Exceptional design quality



## Stainless steel as controller of comfort

- Solar protection
- Visual protection
- Acoustic protection
- Light protection
- Structural stability
- Fire resistant
- Hygienic



Typical floor plan

